



Lamborghini
CALORECLIMA



Taurus

Mid capacity electric water heaters



TAURUS / TAURUS BF

Lamborghini CaloreClima, specialised in the conception and production of technical HVAC products, proposes his electric water heater, **Taurus**, entirely manufactured in Italy. The tank is enamelled with a titanium-glass powder process, highly hygienic, antishock and corrosion free. The series ranges from 50 to 150 liters .



Heating element

Besides standard version, namely **Taurus**, featuring heating element in copper, **Taurus BF** is also available with **Blueforever** enamelled element. This heat treatment obstacles incrustations of limestone. Lifespan of the element and appliance is then highly increased, above all maintaining unvaried performances.

Main features

Thermometer

In robust ABS

Magnesium anode

Protecting tank from galvanic corrosion

5 bolts flange

Robust sealing, EPDM gasket, 70 mm manhole access to the appliance

External regulation

On vertical model, stepless adjustment

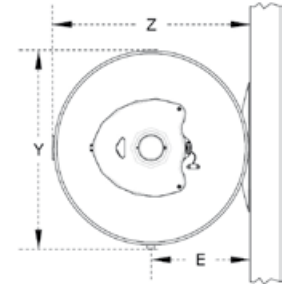
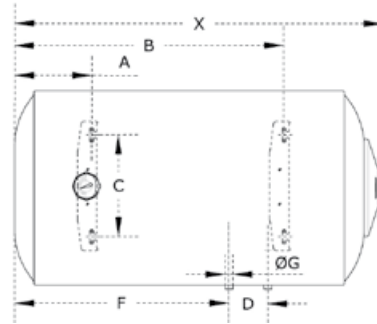
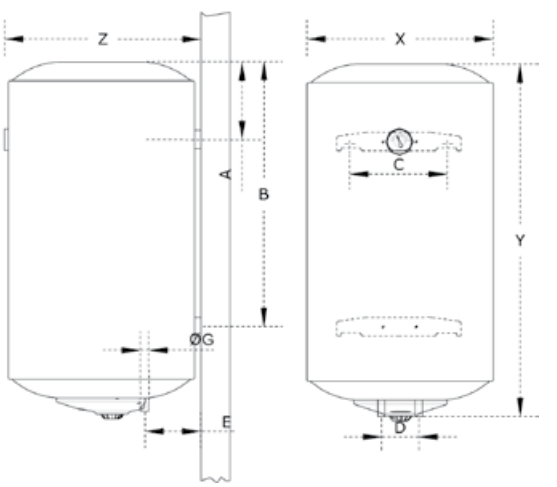
Thermostat

Double safety design: regulation, with antifrost setting and safety, with manual reset





Dimensions



Vertical

Max. operating pressure: 8 bar
Voltage: 220-240 V 50-60 Hz

Horizontal

Technical data

VERTICAL EXECUTION			50 VE	80 VE	100 VE	120 VE	150 VE
Dimensions	X	mm	440	440	440	440	440
	Y	mm	555	755	995	1130	1175
	Z	mm	460	460	460	460	460
	A	mm	185	185	185	190	190
	B	mm	/	/	/	915	955
	C	mm	265	265	265	265	265
	D	mm	100	100	100	100	100
	E	mm	130	130	130	130	130
Capacity		litres	50	80	100	120	150
Power		W	1500	1500	1500	1500	1500
Heating time	ΔT 35°C	minutes	1 h 26'	2 h 18'	2 h 53'	3 h 28'	4 h 19'
	ΔT 45°C	minutes	1 h 51'	2 h 58'	3 h 42'	4 h 27'	5 h 34'
Weight		Kg	16	20,5	25	28,5	29,5

HORIZONTAL EXECUTION			50 HO	80 HO	100 HO	120 HO	150 HO
Dimensions	X	mm	565	770	990	1135	1255
	Y	mm	440	440	440	440	440
	Z	mm	460	460	460	460	460
	A	mm	200	180	200	190	200
	B	mm	345	555	740	915	955
	C	mm	265	265	265	265	265
	D	mm	100	100	100	100	100
	E	mm	230	230	230	230	230
Capacity		litres	50	80	100	120	150
Power		W	1500	1500	1500	1500	1500
Heating time	ΔT 35°C	minutes	1 h 26'	2 h 18'	2 h 53'	3 h 28'	4 h 19'
	ΔT 45°C	minutes	1 h 51'	2 h 58'	3 h 42'	4 h 27'	5 h 34'
Weight		Kg	16	20,5	25	28,5	29,5



TAURUS 200

TAURUS 200 covers the needs of big residential plants or commercial applications for collective leisure, restauration, lodging facilities.

Element

Copper / Steel

Range

Model 200 litres - Vertical / Horizontal

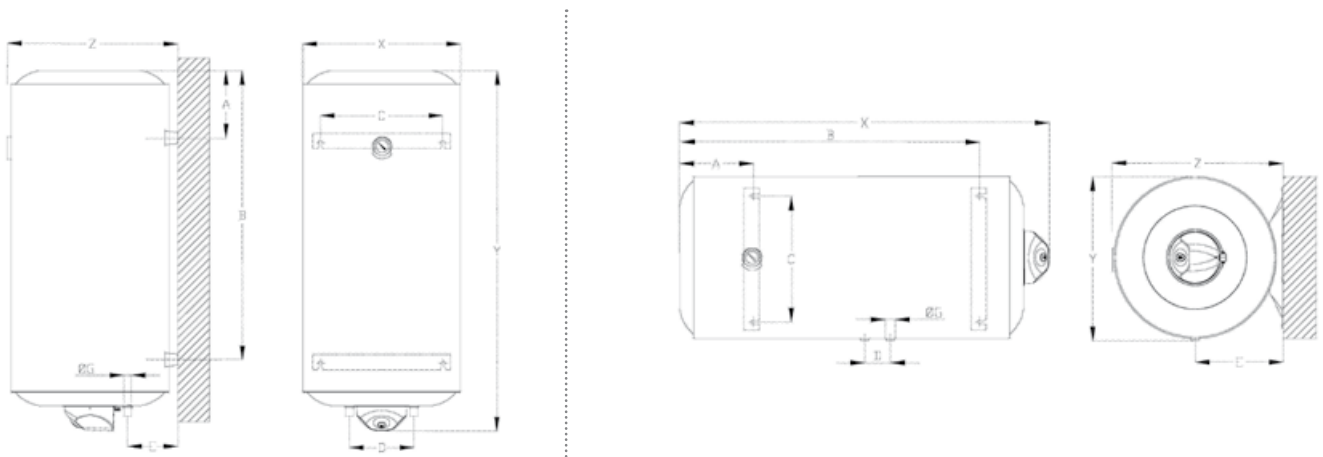
Regulation

Internal

Setpoint temperature can be modified through the internal knob, removing the plastic cover. It is however factory pre-set in order to get maximum possible efficiency according to european regulation 812/2013.



Dimensions



Vertical

Max. operating pressure: 6 bar
Insulation thickness: 33 mm
Voltage: 220~240 V 50-60 Hz

Horizontal

Technical data

VERTICAL EXECUTION			200 VE	200 HO
Dimensions	X	mm	565	565
	Y	mm	1253	1253
	Z	mm	592	592
	A	mm	195	195
	B	mm	1035	1035
	C	mm	440	440
	D	mm	230	230
	E	mm	175	175
	G	inches	3/4"	3/4"
Capacity		litres	200	200
Power		W	2400	2400
Heating time	ΔT 35°C	minutes	3 h 36'	3 h 36'
	ΔT 45°C	minutes	4 h 38'	4 h 38'
Weight		Kg	51	51